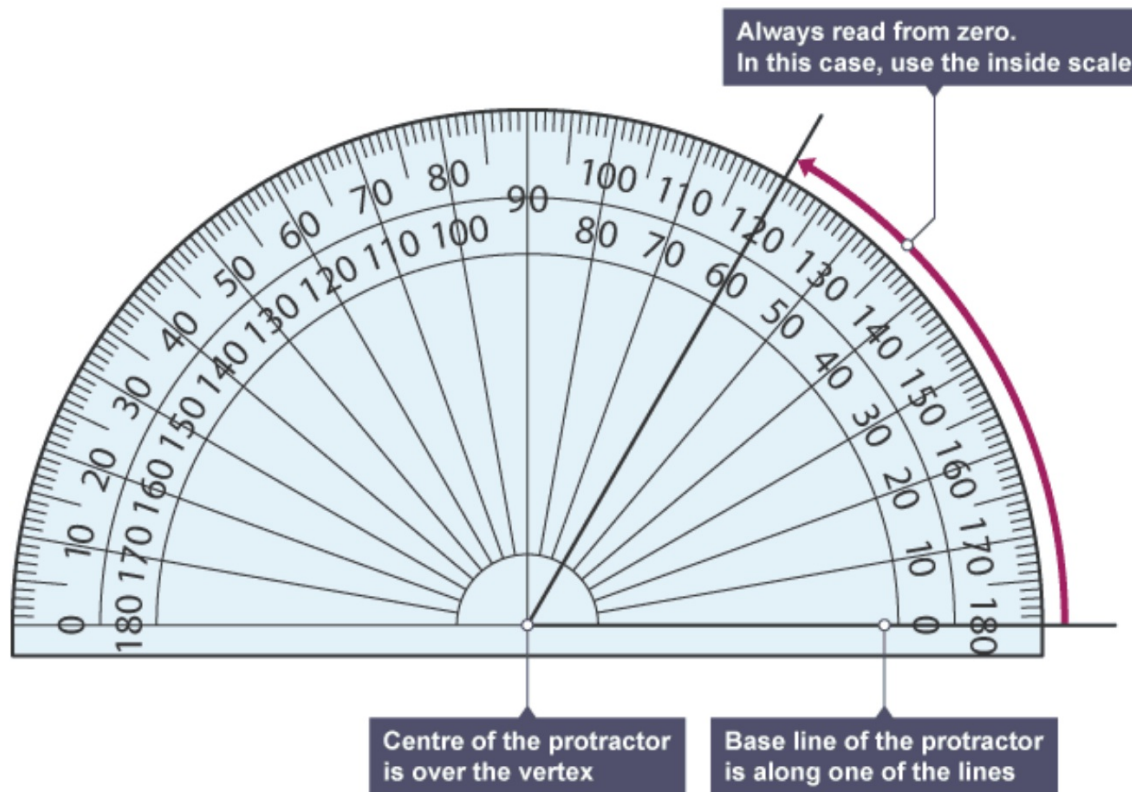
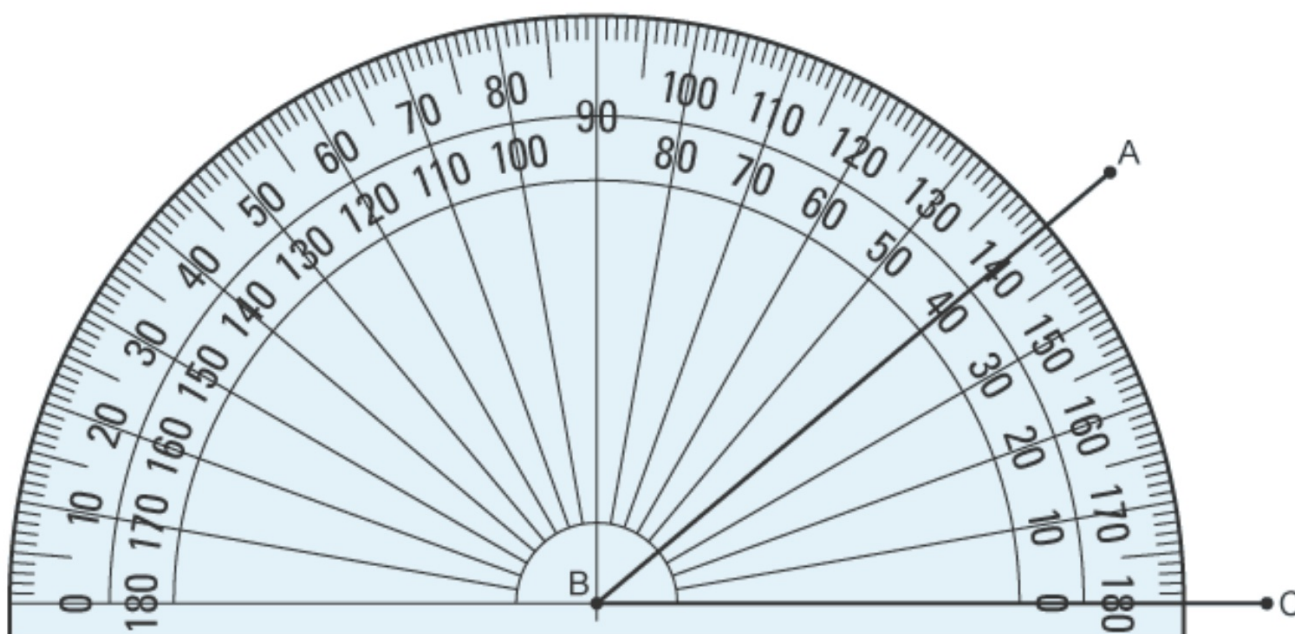


Measuring angles

When measuring angles, make sure that the centre of the protractor is over the **vertex** (corner) of the angle and that the base line of the protractor is along one of the lines of the angle.



Use the protractor to measure the following angle:

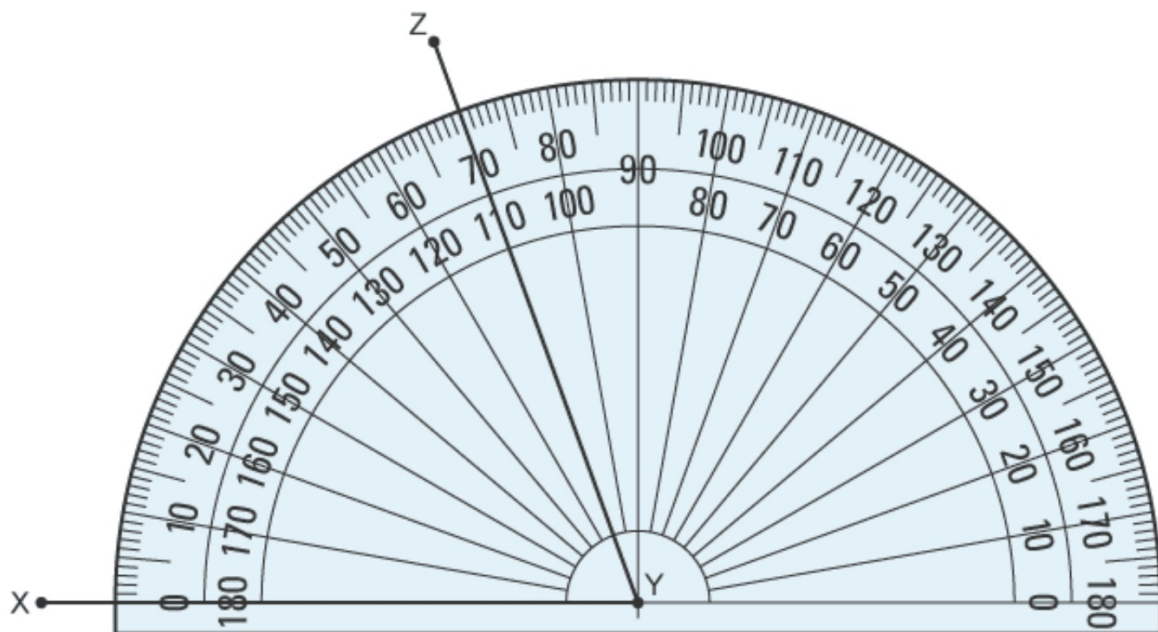


Which zero do we read from?

Why?

Question

Use the protractor to measure the following angle:

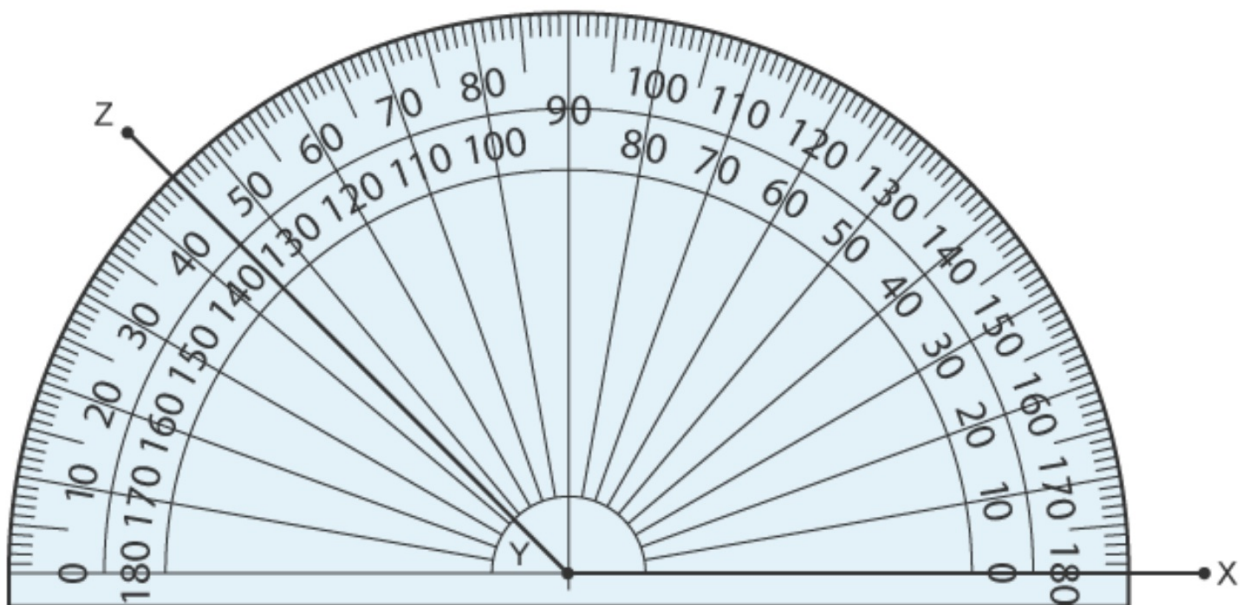


Which zero do we read from?

Why?

Question

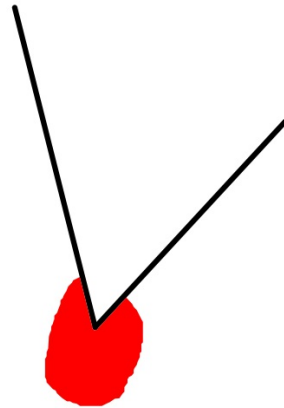
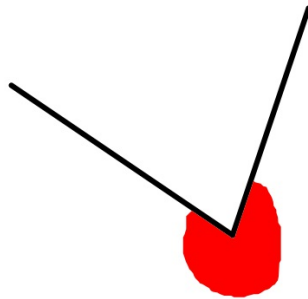
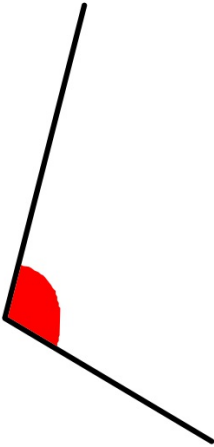
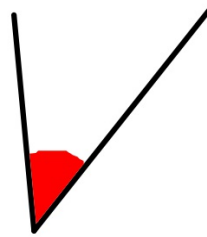
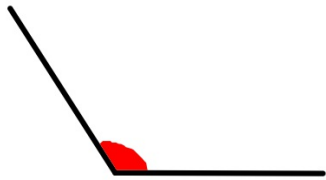
Use the protractor to measure the following angle:



Which zero do we read from?

Why?

Can I draw and measure angles?



//20

Can I draw and
measure angles?

Challenge

Can you accurately draw and measure:

2 acute angles?

2 right angles?

2 obtuse angles?

Extension

Can you draw an angle that measures exactly 48 degrees?